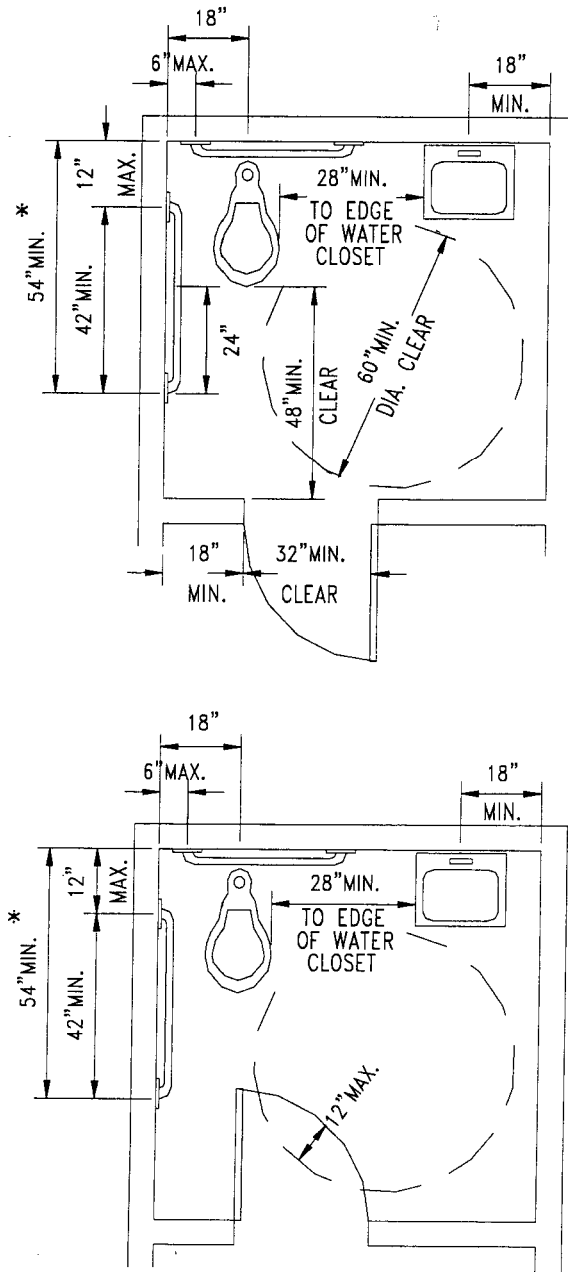


**GENERAL REQUIREMENTS
SANITARY FACILITIES**



NOTE: REGARDLESS OF STALL CONFIGURATION, A 48\"

NOTE: INTERIOR DIMENSIONS OF SINGLE ACCOMMODATION TOILET ROOMS SHALL INCLUDE A CLEAR FLOOR SPACE OF AT LEAST 60\"

* - SIDE GRAB BARS IN SINGLE ACCOMMODATION TOILET ROOMS MUST BE INSTALLED SUCH THAT THE FRONT END OF THE BAR IS LOCATED A MINIMUM OF 54\"

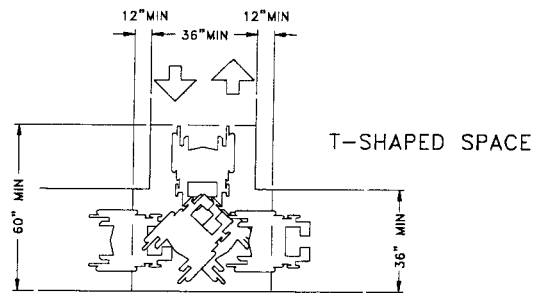
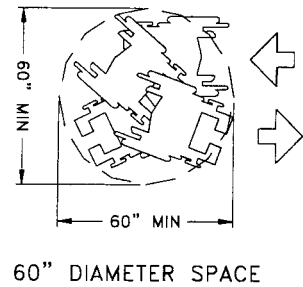
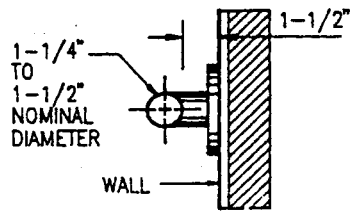
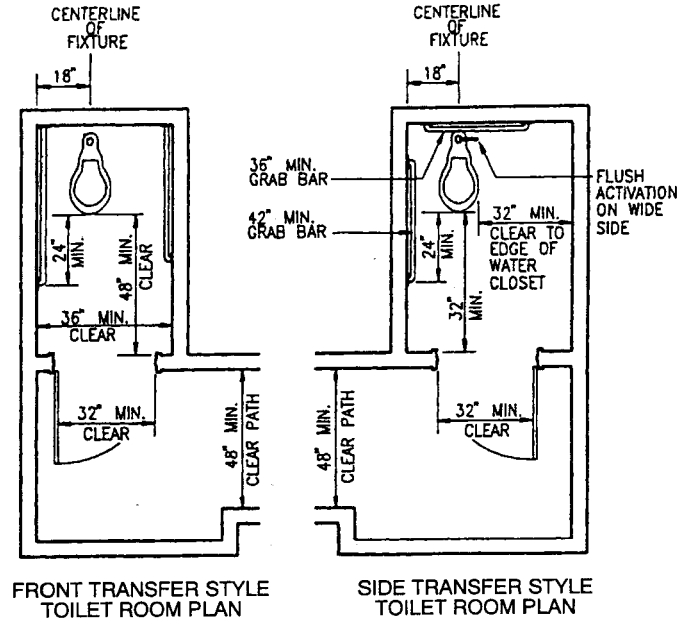


Fig.89

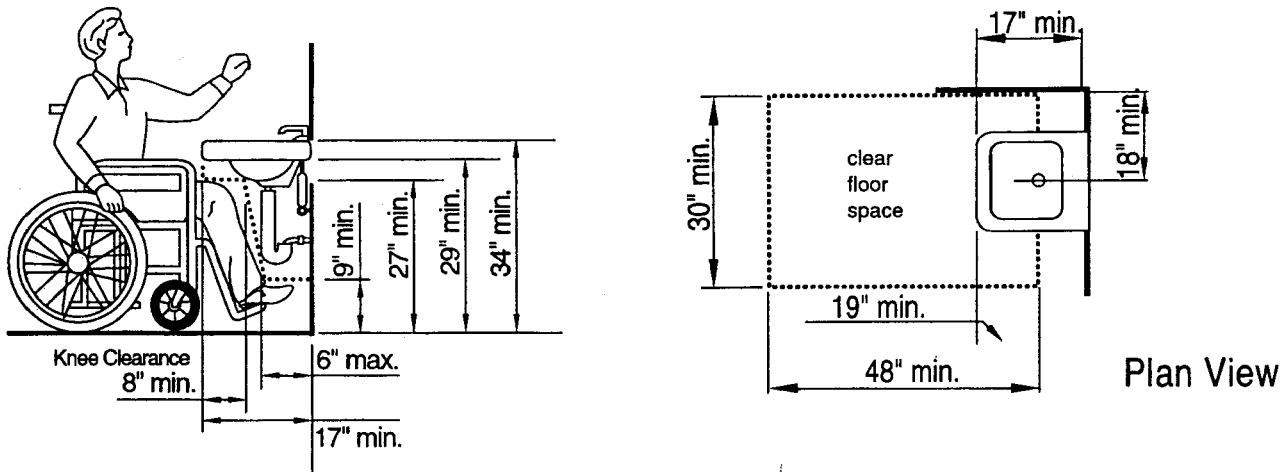
SINGLE ACCOMMODATION TOILET



SECTION THROUGH TYPICAL GRAB BAR

THESE DIAGRAMS ILLUSTRATE THE SPECIFIC REQUIREMENTS OF THESE REGULATIONS AND ARE INTENDED ONLY AS AN AID FOR BUILDING DESIGN AND CONSTRUCTION.

FIGURE 11B-1C—EQUIVALENT FACILITATION FOR EXISTING BUILDINGS ONLY



THIS DIAGRAM ILLUSTRATES THE SPECIFIC REQUIREMENTS OF THE REGULATIONS AND IS INTENDED ONLY AS AN AID FOR BUILDING DESIGN AND CONSTRUCTION.

FIGURE 11B-1D—KNEE CLEARANCE